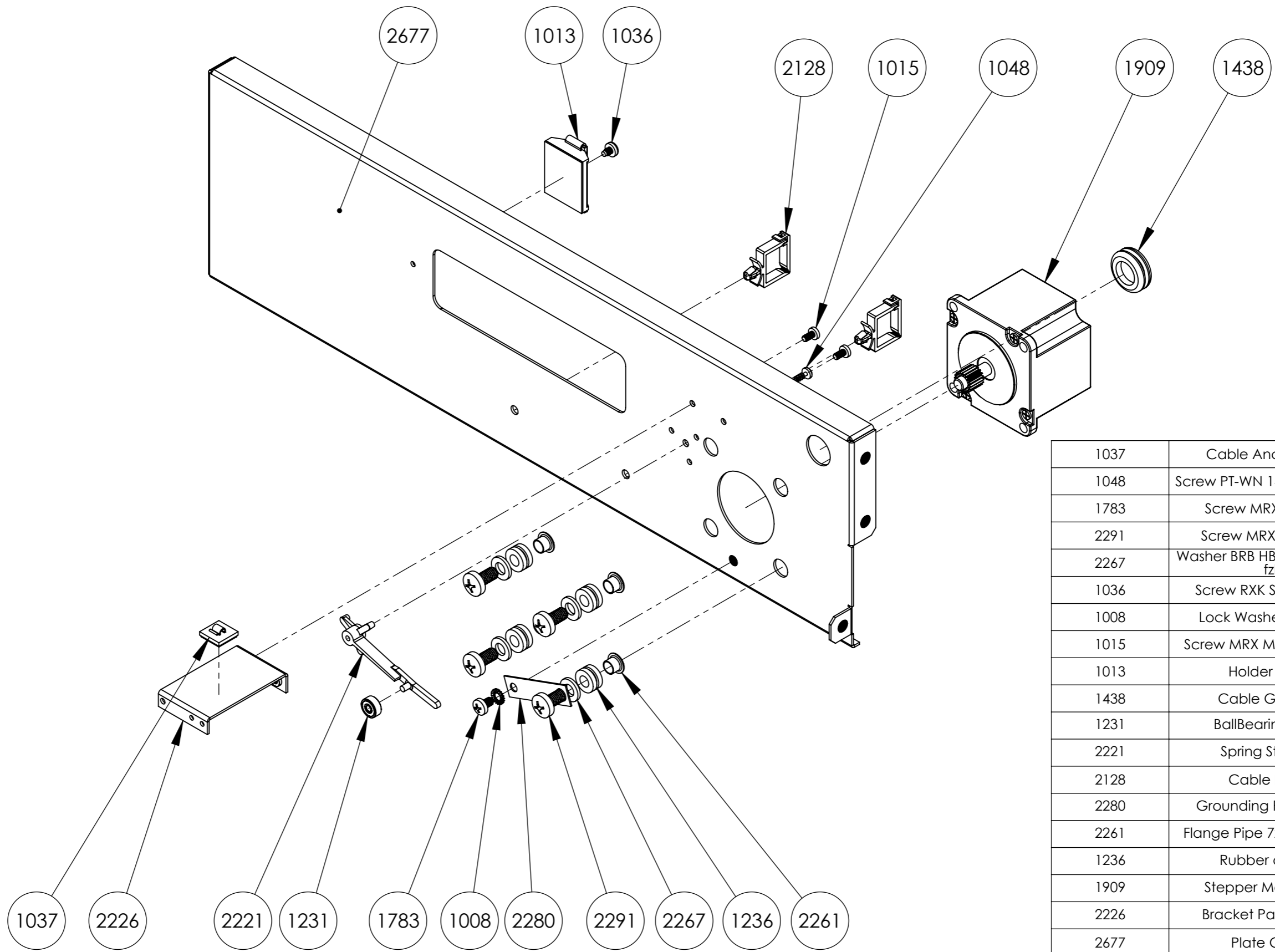


This document must not be copied without our written permission, and the contents thereof must not be imparted to a third party nor be used for any unauthorized purpose. Contravention will be prosecuted.

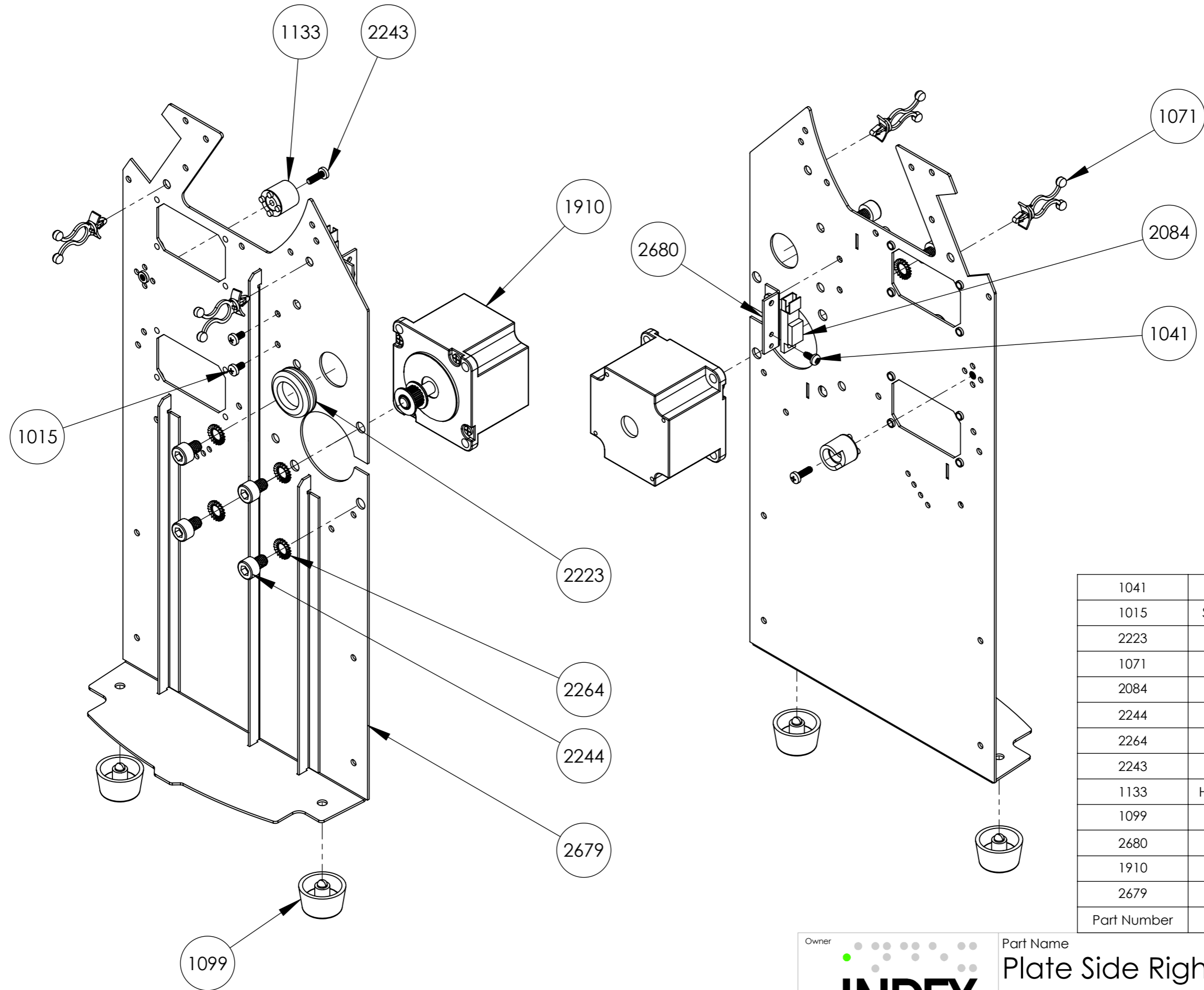


1037	Cable Anchor Small	1
1048	Screw PT-WN 1442 ST3,0x8 fzb	1
1783	Screw MRX M4x6 fzb	1
2291	Screw MRX M6x12 fzb	4
2267	Washer BRB HB200 6,4x12x1,6 fzb	4
1036	Screw RXK ST3,5x4,5-fzb	1
1008	Lock Washer AZ4,3 fzb	1
1015	Screw MRX M3x6 fzb black	2
1013	Holder Cable	1
1438	Cable Grommet	1
1231	BallBearing 623-ZZ	1
2221	Spring Stretcher	1
2128	Cable Holder	2
2280	Grounding Plate Motor	1
2261	Flange Pipe 7x0,45x5 P H10	4
1236	Rubber damper	4
1909	Stepper Motor Head	1
2226	Bracket Paper Sensor	1
2677	Plate Center	1
Part Number	Part Name	QTY



Owner	Part Name			
	<b>Plate Center Module V5</b>			
	Part Number	Drawn by	Approved by	Format
	<b>2694</b>	Mattias	Janne	A3
		Date	Revision	Scale
		2016-12-07	-	1:1
			Sheet	
			1/1	

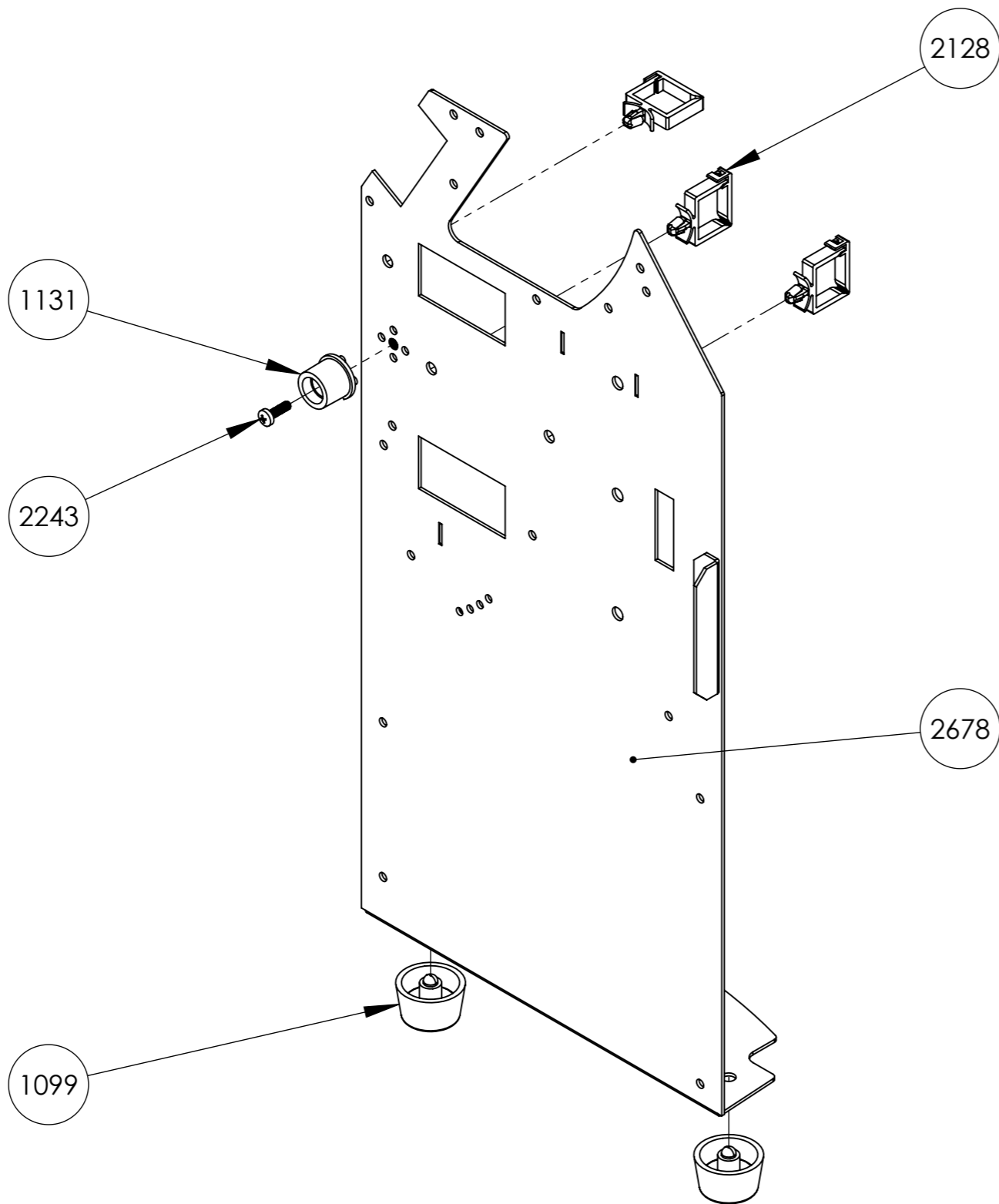
This document must not be copied without our written permission, and the contents thereof must not be imparted to a third party nor be used for any unauthorized purpose. Contravention will be prosecuted.



1041	Screw RXK ST2,9x6,5-fzb	1
1015	Screw MRX M3x6 fzb black	2
2223	Cable Grommet	1
1071	Twist lock	2
2084	Paper Sensor	1
2244	Screw MC6S 8.8 M6x8 fzb	4
2264	Lock Washer AZ6,4 fzb	4
2243	Screw MRX M3x10 fzb	1
1133	Holder axle attachment left	1
1099	Feet High	2
2680	Embosser Head Sensor Bracket	1
1910	Stepper Motor Paper	1
2679	Plate Side Right	1
Part Number	Part Name	QTY



Owner	Part Name			
	<b>Plate Side Right Motor Module</b>			
Part Number	Drawn by	Approved by	Format	Scale
<b>2695</b>	Mattias	Janne	A3	1:1
Date	Revision	Sheet		
2016-12-07	-	1/1		



2243	Screw MRX M3x10 fzb	1
1099	Feet High	2
2128	Cable Holder	3
1131	Holder axle attachment right	1
2678	Plate Side Left	1
Part Number	Part Name	QTY

This document must not be copied without our written permission, and the contents thereof must not be imparted to a third party nor be used for any unauthorized purpose. Contravention will be prosecuted.



Owner	Part Name			
	<b>Plate Side Left Module V5</b>			
Part Number	Drawn by	Approved by	Format	Scale
<b>2719</b>	Mattias	Janne	A3	1:1
Date	Revision		Sheet	
2016-12-07	-		1/1	