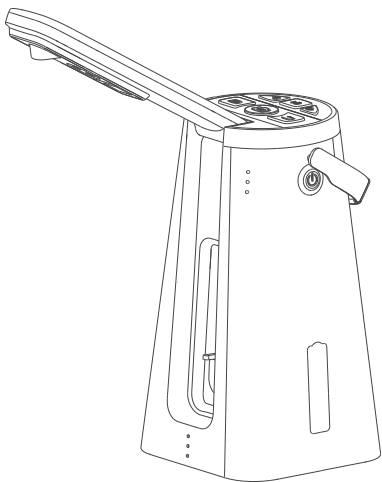


NextVPU (Shanghai) Co., Ltd.

User Guide

AngelEye Desktop Reader

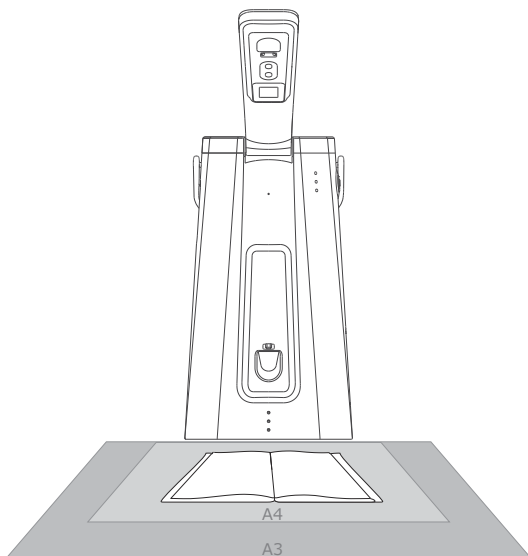


Contents

Product Overview	3
Use Instructions	6
Specifications	10
Precautions	10
Disclaimer	11

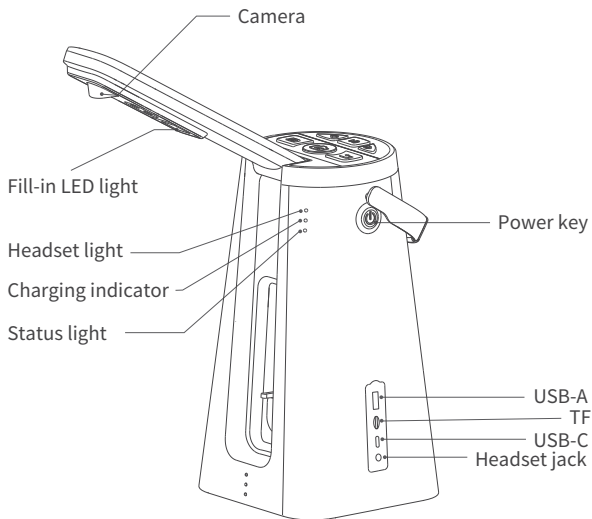
Product Overview

Based on the advanced computer vision and artificial intelligence (AI) technology, the AngelEye Desktop Reader converts text materials (such as newspaper, magazines, books, packages, and business cards) into voice through OCR recognition, which can assist people with visual fatigue, weak vision, or visual impairment in reading without difficulties.

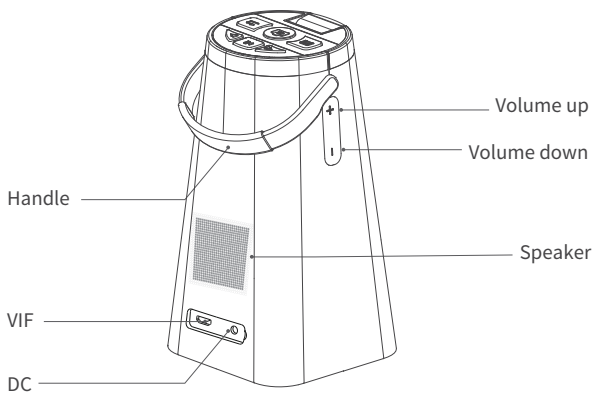
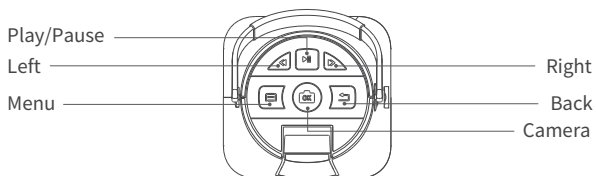


* The maximum recognition range can reach the standard paper size of A3.

Key Description



Key Description



Use Instructions

Powering On or Off

1. Powering on the device: Press and hold the power key for 2s. When you hear the sound of "beep", it indicates that the device is successfully powered on and the status indicator turns on.
2. Powering off the device: Press and hold the power key for 2s. When you hear the power-off music, it indicates that the device is successfully powered off.

Text Recognition (OCR)

Text recognition can be divided into three modes: Manual, Auto and Finger.

1. Mode Switchover
 - a. After being powered on, the reader enters Manual mode by default.
 - b. You can press the Left or Right key to switch among the three modes.
2. Manual Mode
 - a. Place the book or material to be recognized directly in front of the reader and align it with the dots at the lower part of the reader. Keep the material still.
 - b. Press the Camera key. When you hear a countdown photo-taking sound, it indicates that the photo is taken successfully. Then, the reader starts to read the text automatically.
3. Auto Mode
 - a. In Auto mode, place a book or material to be recognized directly in front of the reader and align it with the dots at the lower part the reader. Keep the material still.
 - b. When you hear a countdown photo-taking sound, it indicates that the photo is taken successfully. Then, the reader starts to read the text automatically.
4. Finger Mode
 - a. Press the Left or Right key to switch to Finger mode.
 - b. Place the book or material to be recognized directly in front of the reader and align it with the dots at the lower part of the reader. Keep the material still.
 - c. Place your index finger under the text to be recognized. When you hear the sound of "beep, beep" and "click", it indicates that the photo is taken successfully. Then, the reader starts to read the word above the finger.

5. Precautions

- a. Ensure that the text to be recognized and the background have a certain contrast. It is recommended that black characters and white background be used.
- b. The material to be recognized must not reflect light.
- c. It is recommended that the reader be used under normal indoor lighting conditions.
- d. When taking pictures, keep the reader and the book still.
- e. When taking pictures, ensure that the center of the camera is aligned with the center of the material to be recognized.

Reading Text

1. In the process of reading text, you can press the Play/Pause key to stop or continue reading text.
2. In the process of reading text, press and hold the Menu key to save the current text.
3. In the process of reading text, press the Left to fast backward or Right key to fast forward.
4. In the process of reading text, press the Back key to return to the text recognition mode.
5. After finishing reading text, the reader plays the end sound and automatically returns to the text recognition mode.

Settings

1. In any mode, you can press the Menu key to enter the Settings menu.
 - a. In the Settings menu, you can press the Left or Right key to browse different configuration items.
 - b. In the Settings menu, you can press the Camera key to go to the next level. After the settings are changed, press the Camera key to save the current settings.
 - c. At the first level of the Settings menu, press the Back key to exit the Settings menu. At the second level of the Settings menu, press the Back key to return to the upper level.
2. Perform document management.
 - a. Press the Menu key to enter the main menu.
 - b. Press the Left or Right key switch to document management.
 - c. Press the Camera key to enter the submenu of document management.
 - d. Press the Left or Right key to select a document to read, and press the Camera key to start reading the document.

- e. Delete the document.
 - On the document list page, press the Left or Right key to select a document to delete, and press and hold the Menu key to delete it.
3. Set the reading speed.
 - a. Press the Menu key to enter the main menu.
 - b. Press the Left or Right key switch to the speed settings.
 - c. Press the Camera key to enter the submenu of the speed settings.
 - d. Press the Right key to speed up reading and the Left key to slow down reading, and press the Camera key to save the settings.
 - e. Press the Back key to cancel the settings.
4. Set a reading voice (male/female).
 - a. Press the Menu key to enter the main menu.
 - b. Press the Left or Right key to switch to the voice settings.
 - c. Press the Camera key to enter the submenu of the voice settings.
 - d. Press the Left or Right key to select a reading voice (male or female), and press the Camera key to save the settings.
 - e. Press the Back key to cancel the settings.
5. Network connection
 - a. Enter Network setting
 - b. Use mobile phone to scan the QR code on the manual, download and install the app, enter the WiFi account and password in the app, and generate a QR code.
 - c. Put the QR code under the camera, press capture button, wait for QR recognition, and automatically connect to WiFi.
 - d. After the WiFi connection is successful, you will be prompted that the connection is successful and return to the main menu.
 - e. If the connection fails, you will be prompted that fail to connect to the network, press camera button to reconnect, press back button to return to the previous menu.
6. Connect to the Bluetooth headset.
 - a. Press the Menu key to enter the main menu.
 - b. Press the Left or Right key to switch to the headset settings.
 - c. Press the Camera key to enter the submenu of the headset settings.
 - d. Press the Left or Right key to switch between the detected Bluetooth headsets, and press the Camera key to start pairing with the headset.
 - e. When you hear the prompt "Bluetooth headset connected", it indicates that the connection is successful.

7. Disconnect the Bluetooth headset.
 - a. Press the Menu key to enter the main menu.
 - b. Press the left or right button to switch to the headset settings and see that the Bluetooth headset is connected
 - c. Press the Bluetooth disconnected
8. Factory reset
 - a. Press the Menu key to enter the main menu.
 - b. Press the Left or Right key switch to About, and press the Camera key to enter the About menu.
 - c. Press the Left or Right key switch to Factory Reset.
 - d. Press the Camera key. A message pops up, prompting you to confirm whether to restore factory settings. You can press the Back key to cancel the restoration of factory settings. You can also press the Camera key to confirm the restoration of factory settings, and the reader will automatically restore factory settings.
9. Upgrade
 - a. Connect to wifi first.
 - b. Enter main menu - about - upgrade
 - c. If there is a new soft version, the voice prompts whether to upgrade. Press the capture key to start the upgrade. If the upgrade is successful, voice prompts upgrade successful.
 - d. If there is no updated version, voice prompts that the current version is the latest version.

Adjusting System Volume

Pressing the Volume up/down key in any mode can adjust the system volume.

Sleep

1. The reader enters Sleep mode if no operations are performed within 5 minutes.
2. Press the Power key to manually enable Sleep mode.
3. Pressing the Power key in Sleep mode can wake up the reader. After being woken up, the reader returns to the working state before sleeping.

Battery Level Reminder

1. When the charger is plugged in or disconnected, the reader will broadcast the current battery level.
2. When the battery level is lower than 10%, the reader will automatically broadcast a low battery reminder.

LED Light Effects

1. Running: The blue LED light is steady on.
2. Sleep: The blue LED light blinks.
3. Power-on: The blue LED light turns on.
4. Power-off: The LED light turns off.
5. Bluetooth connection established: The white LED light turns on.
6. Charging: The red LED light turns on during charging. The green LED light turns on when the reader is fully charged.

Specifications

Product Model	SR-D1	Power	DC 5 V/2 A
Dimensions	280mm*155mm*150mm	Material	ABS
	395mm*155mm*150mm	Battery Capacity	6700mAh
Fill-in LED Light	Available	Working Hours	> 6 hours
Operating Temperature	0°C to 40°C	RAM + ROM	2 GB + 16 GB
Camera Resolution	13MP		
Input and Output	3.5 mm headset jack x 1, video interface x 1		
Extension Interfaces	USB-A x 1, USB-C x 1, SD card slot x 1		

Precautions

To ensure that you use this product safely and correctly, read this user guide carefully and observe the following safety rules before using this product:

1. This product must be handled gently and prevented from any serious impact or vibration.
2. It is recommended that this product be not placed in a seriously polluted environment.
3. When using this product, avoid contact with chemicals such as benzene and diluents. Keep this product away from strong magnetic or electric field, avoid direct sunlight, and stay away from fire sources.
4. Do not place this product in environments with high temperature and high humidity. Do not flush or wash this product. Otherwise, this product may be damaged or cause electric shock during use.
5. Do not disassemble, repair, revamp, or replace any parts of this product by yourself.
6. Discarded packages, batteries, and electronic components must be properly classified and disposed of.

7. Use only the charger that comes with this product. Using an unauthorized charger may invalidate your warranty and may even cause serious injury.
8. Place this product out of reach of children.

Disclaimer

In order to protect the legitimate rights and interests of users, you must carefully read the user guide, disclaimer, and safety precautions provided related to this product before using it. NextVPU (Shanghai) Co., Ltd. reserves the right to update the preceding documents. This product must be operated in compliance with the user guide and safety precautions.

Once you start using this product, you will be deemed to have read, understood, approved, and accepted all the terms and contents of this user guide, disclaimer, and safety precautions. Users promise to be liable for their actions and all the consequences arising therefrom. Users promise to use this product only for legitimate purposes and agrees to these terms and any relevant policies or guidelines formulated by NextVPU (Shanghai) Co., Ltd.

Requirements including but not limited to this user guide and safety precautions must be strictly observed and implemented during the use of this product. For all personal injuries, accidents, property losses, legal disputes, and other adverse events causing conflicts of interest owing to improper behaviors in violation of safety precautions or force majeure, users shall be liable for relevant responsibilities and losses, and NextVPU (Shanghai) Co., Ltd. shall not bear any liability.

NextVPU (Shanghai) Co., Ltd. shall not bear any liability for any violation of laws and regulations directly or indirectly caused by users' use of this product. NextVPU (Shanghai) Co., Ltd. shall not bear any liability for any indirect losses (including but not limited to losses in profits, expected benefits, business reputation, and time) caused by defects, flaws, and repair of this product. The company's liability for compensation for this product and repair shall not exceed the actual amount paid by users for purchasing this product.



Scan the Android QR code via the browser to
download the APP of the Reader



Scan the iOS QR code via the browser to
download the APP of the Reader

NextVPU (Shanghai) Co., Ltd.

Address: 5th Floor, Building 7, No. 3000 Longdong
Avenue, Pudong New Area, Shanghai, P.R. China

Hotline: (Japan) + 81 (0) 70 1441 1117

(US-Euro/Japan) + 86 134 2636 6931

Email: bd@nextvpu.com